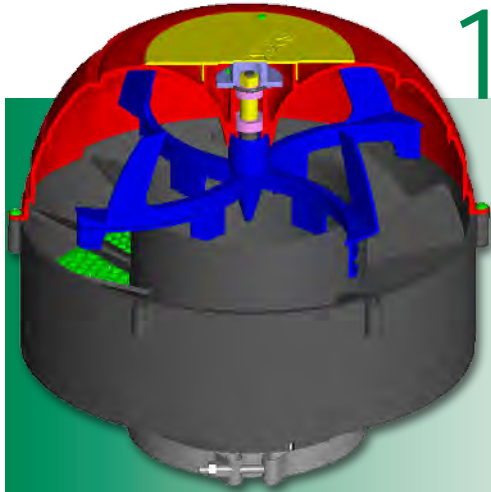


Six Critical Characteristics to Demand from YOUR Precleaner:



1 Technology:

Your precleaner should be built with the tools to get the job done.

Every aspect of the Series 9000® Ejective Air Precleaner has been engineered to maximize performance and minimize maintenance.

Patented Rotor Technology:

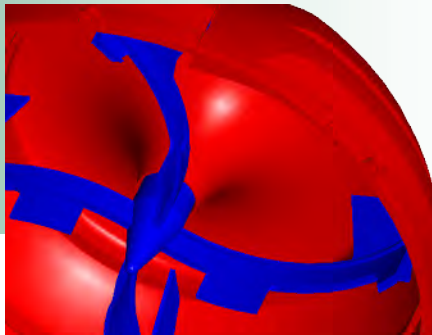


Large rotor arm cross sectional area ensures rotor won't snap

under load when impacted with mixed debris fields like wood chips, chaff, or rocks small enough to get through the inlet prescreen.

Rotor accelerates the airflow to improve the separation process. Curved swept arms sling debris to the outer orbits of the toroidal dome.

Patented Toroidal Dome:



Dome shape enhances separation process

by preventing debris from being sucked in through the ejection port. Debris is ejected and clean air continues to rise, until the dome shape folds it and sends it into your engine's air intake.



2

Material:

Your precleaner should be made from a high-quality, non-reflective, non-corroding material.

The Series 9000® is mold injected from rugged black Nylon 6-6, giving it the strength of steel and the light weight of plastic. The limited reflectivity of the opaque material means your operator is not blinded by glare or distracted by moving parts. It can withstand our "shake and bake" tests and has proven durability in all weather and environmental conditions.



Patented Strake Technology:

Internal strakes catch debris in outer orbits and channel the debris horizontally to the ejection slot.

3

Size:

Your precleaner should deliver maximum performance while occupying the smallest amount of space.

The Series 9000® Ejective Air Precleaner is designed with size in mind. We understand that every inch above the hood line impacts visibility and every inch below the hood line costs money. Using our online sizing wizard makes it easy to select the best Series 9000® model for your application. If you don't see your machine listed, call us - we can fit!



Six Critical Characteristics to Demand from YOUR Precleaner:

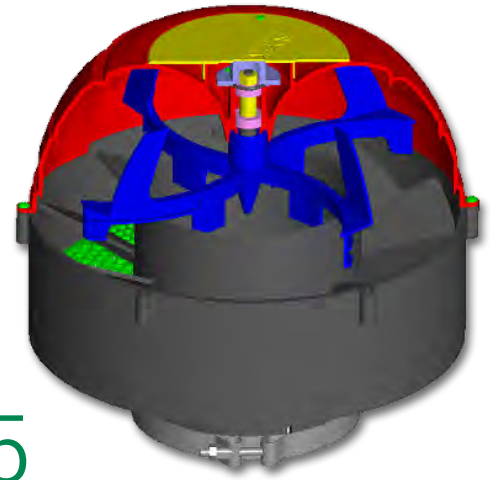
4 Performance:

Your precleaner should be designed to work in the real world, not just in the laboratory.

The Series 9000® Ejective Air Precleaner has been tested by the Southwest Research Institute and has delivered unmatched performance in the field. The Series 9000® has demonstrated that it can handle the mixed debris your machine operates in every day without losing its performance edge.



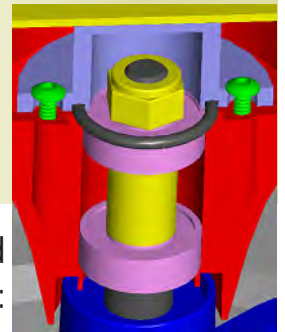
Expels all types of mixed debris, including mud, snow, rain, leaves, sawdust, chaff, and dust.



5 Durability:

Your precleaner should operate under extreme conditions for an extended period of time.

The Series 9000® isolates the bearings in a patented bearing cavity, packed in 20% grease concentration instead of the typical 10-15% used by our competitors. The bearing cavity is designed so the most critical parts remain protected against debris and moisture that would cause them to fail. Overlooking this feature will cost you in the long run.



Patented Bearing Cavity:

Labyrinth seal, o-ring seal, and mechanically attached top cap ensure bearings remain free of debris and moisture.

6 Protection:

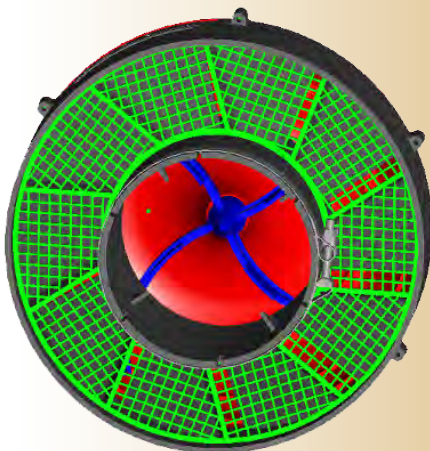
Your precleaner should protect your machine and give you peace of mind.

Claims against the limited lifetime warranty are very rare. Warranty cost across the entire Series 9000® line are less than .04% of gross sales. We offer customer support via phone and the web. Our engineers work with all the top OEMs to ensure that our precleaners work on your machines the way we say they will.

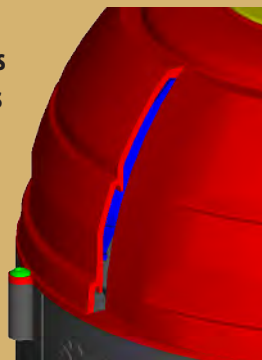
Patented Breakaway Technology:



The dome will break away from the base if forcefully struck, preventing expensive damage to the engine's air intake system.



Inlet prescreen on the underside of the Series 9000® eliminates clogs and jams by preventing any debris that is larger than the ejection slot from entering the precleaner.



Six Critical Characteristics...
Does YOUR Precleaner have them?

Registered to
ISO 9001:2000

© 2008 Sy-Klone International. All rights reserved. LIT 5003 Rev 003 01/08

Sy-Klone Dealer:



**RDK Truck Sales
and Service Inc.**

www.rdk.com • info@rdk.com

3214 Adamo Dr.
Tampa, FL 33605

Toll-free 888-735-8789

813-241-0711

813-241-0414